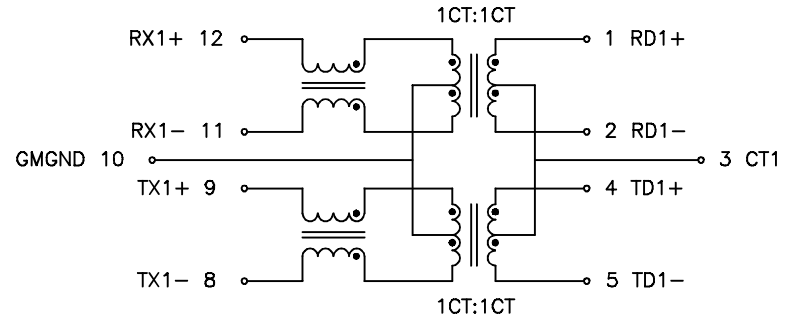


UNLESS OTHERWISE SPECIFIED ALL TOLERANCES ARE : XX.XX ±0.25mm
0.XX ±0.05mm



ELECTRICAL CHARACTERISTICS : @25°C

1. TURNS RATIO : TX/RX = 1CT : 1CT (±5%).
2. OCL (@100KHz / 0.1V WITH 8 mA/DC BIAS) : 350 uH MIN.
3. L.L (@100KHz/0.1V) : 0.5 uH MAX.
4. CROSS TALK : 1~100MHz = -30 dB MIN.
5. HI-POT : 1500 Vrms.
6. INSERTION LOSS : 1~100MHz = -1.1 dB MAX.
7. RETURN LOSS (@100 Ω) : 1~30 MHz = -18 dB MIN.
40 MHz = -14.4 dB MIN.
50 MHz = -13.1 dB MIN.
60-80 MHz = -12 dB MIN.
9. DCR : 1.4 Ω MAX.
10. DCMRR : 1~100 MHz = -30 dB MIN.
11. RoHS COMPLIANT

								TITLE 10/100 BASE-TX TRANSFORMER	
								DWG. NO. ATPL-M1	
RELEASE						UNITES:		SAFETY	
NO:	DESCRIPTION	DATE	BY	CHK	APPD	DATE		P/N:	
REVISIONS								SHEET 1 OF 1	
								DRAW	